

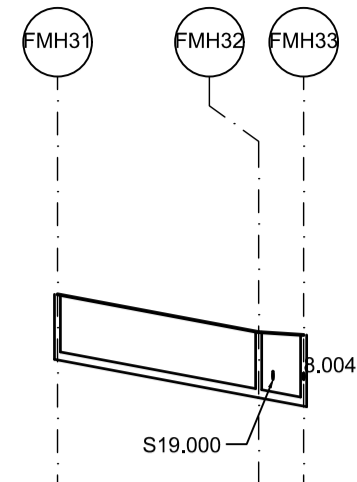
A1

DO NOT SCALE

100

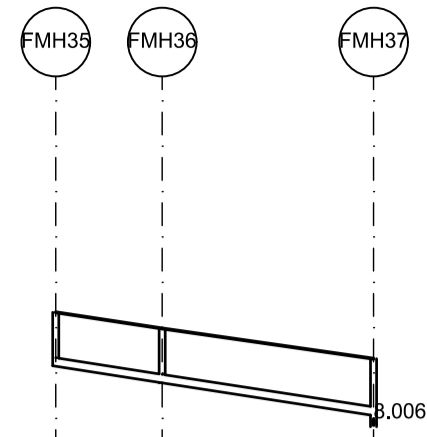
10

0



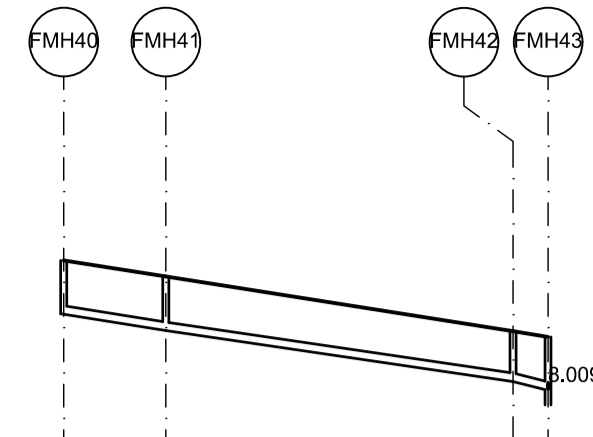
Datum (m) 10.000	
PN	F10.000
Dia (mm)	225
Slope (1:X)	40.0
Cover Level (m)	16.925
Invert Level (m)	17.092
Length (m)	39.918

Longitudinal Section FMH31 - FMH33
Scale 1:1500 (Horizontally), 1:200 (Vertically)



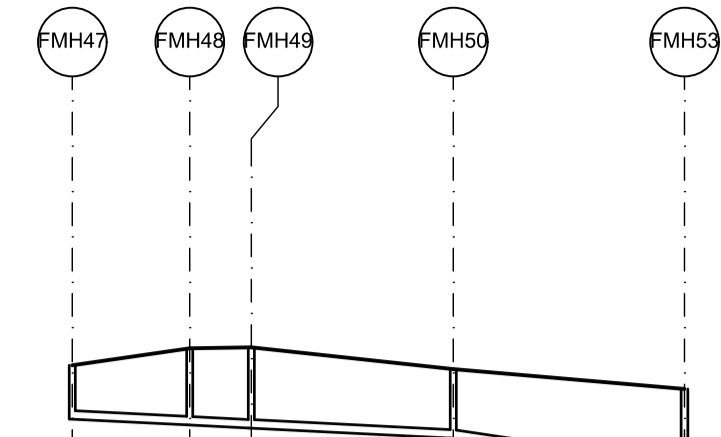
Datum (m) 10.000	
PN	F11.000
Dia (mm)	225
Slope (1:X)	48.0
Cover Level (m)	16.925
Invert Level (m)	17.495
Length (m)	41.944

Longitudinal Section FMH35 - FMH37
Scale 1:1500 (Horizontally), 1:200 (Vertically)



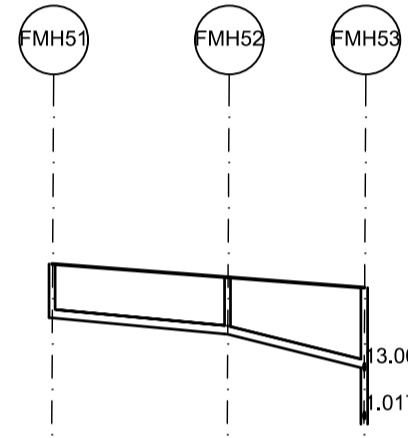
Datum (m) 10.000	
PN	F12.000
Dia (mm)	225
Slope (1:X)	47.0
Cover Level (m)	16.725
Invert Level (m)	16.989
Length (m)	20.276

Longitudinal Section FMH40 - FMH43
Scale 1:1500 (Horizontally), 1:200 (Vertically)



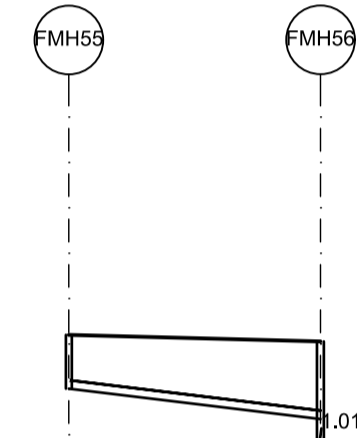
Datum (m) 10.000	
PN	F13.000
Dia (mm)	225
Slope (1:X)	150.2
Cover Level (m)	17.950
Invert Level (m)	16.525
Length (m)	23.286

Longitudinal Section FMH47 - FMH53
Scale 1:1500 (Horizontally), 1:200 (Vertically)



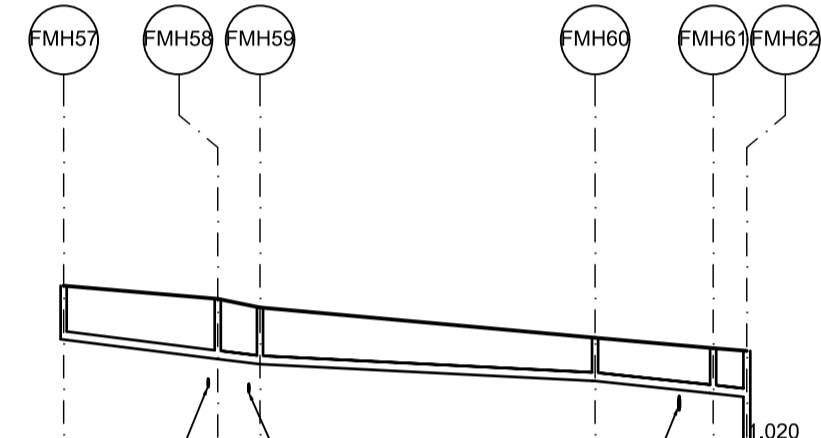
Datum (m) 10.000	
PN	F14.000
Dia (mm)	225
Slope (1:X)	50.0
Cover Level (m)	17.950
Invert Level (m)	16.925
Length (m)	34.816

Longitudinal Section FMH51 - FMH53
Scale 1:1500 (Horizontally), 1:200 (Vertically)



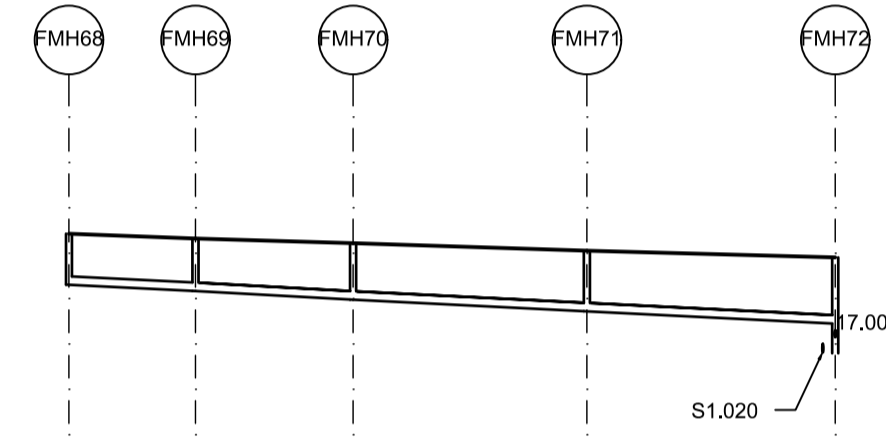
Datum (m) 10.000	
PN	F15.000
Dia (mm)	225
Slope (1:X)	62.2
Cover Level (m)	16.075
Invert Level (m)	15.900
Length (m)	49.918

Longitudinal Section FMH55 - FMH56
Scale 1:1500 (Horizontally), 1:200 (Vertically)



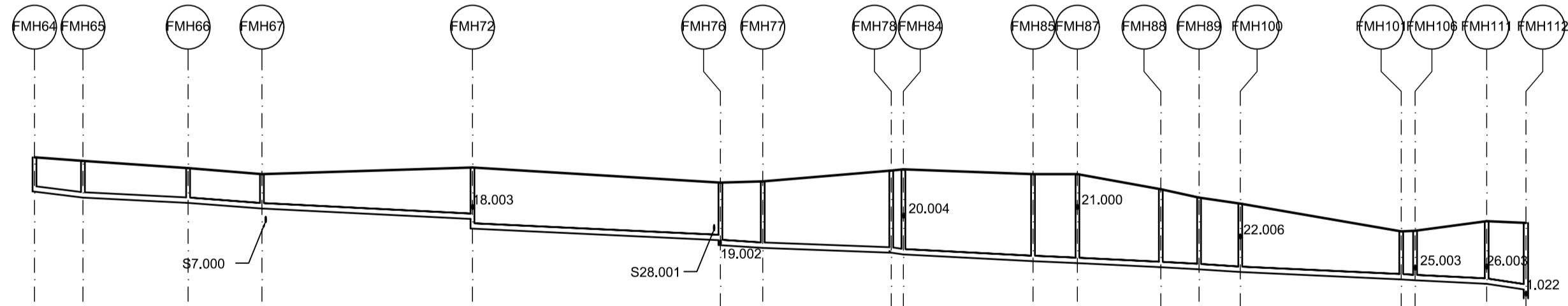
Datum (m) 10.000	
PN	F16.000
Dia (mm)	225
Slope (1:X)	150.0
Cover Level (m)	17.375
Invert Level (m)	15.950
Length (m)	30.581

Longitudinal Section FMH57 - FMH63
Scale 1:1500 (Horizontally), 1:200 (Vertically)



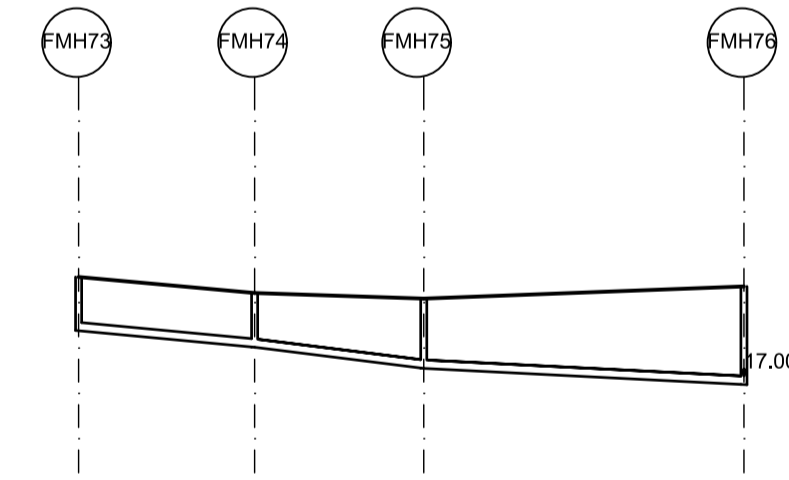
Datum (m) 10.000	
PN	F18.000
Dia (mm)	225
Slope (1:X)	158.4
Cover Level (m)	18.275
Invert Level (m)	17.233
Length (m)	25.094

Longitudinal Section FMH68 - FMH72
Scale 1:1500 (Horizontally), 1:200 (Vertically)



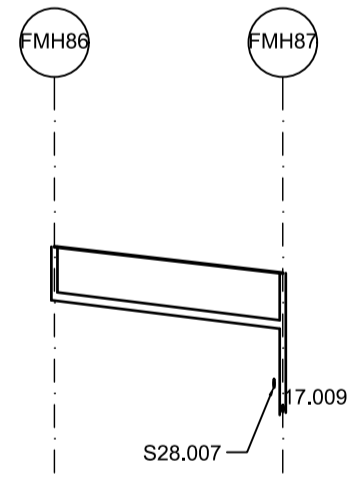
Datum (m) 10.000	
PN	F17.001
Dia (mm)	225
Slope (1:X)	150.2
Cover Level (m)	16.550
Invert Level (m)	17.125
Length (m)	32.740

Longitudinal Section FMH64 - FMH112
Scale 1:1500 (Horizontally), 1:200 (Vertically)



Datum (m) 10.000	
PN	F19.000
Dia (mm)	225
Slope (1:X)	79.3
Cover Level (m)	17.325
Invert Level (m)	16.300
Length (m)	34.926

Longitudinal Section FMH73 - FMH76
Scale 1:1500 (Horizontally), 1:200 (Vertically)



Datum (m) 10.000	
PN	F21.000
Dia (mm)	225
Slope (1:X)	60.2
Cover Level (m)	16.550
Invert Level (m)	17.125
Length (m)	45.319

Longitudinal Section FMH86 - FMH87
Scale 1:1500 (Horizontally), 1:200 (Vertically)

© ORDNANCE SURVEY IRELAND LICENSE NO. AR 0082518
ORDNANCE SURVEY IRELAND & GOVERNMENT OF IRELAND

FINAL LAYOUT AS AGREED WITH IRISH WATER IN THE
STATEMENT OF DESIGN ACCEPTANCE (REF NO.9451918857)
APPENDIX A

Rev	Description	By	Date	Chk'd	Auth
C	PLANNING SUBMISSION	PS	29.10.19	AC	GH
C	FINAL CLIENT APPROVAL	PS	09.10.19	AC	GH
C	FOR IRISH WATER FINAL APPROVAL	PS	01.10.19	AC	GH
B	FOR IRISH WATER FINAL APPROVAL	PS	27.09.19	AC	GH
A	RE ISSUED FOR IW REVIEW	PS	09.08.19	AC	GH
-	ISSUED FOR IW REVIEW	TD	14.05.19	AC	GH



Member of the SNC-Lavalin Group

Atkins House, 150-155 Ailside
Business Park, Swords, Co. Dublin
Tel (+353) 01 810 8000
Fax (+353) 01 810 8001

Unit 2B, 2200 Cork Airport
Business Park, Cork
Tel (+353) 021 429 0300
Fax (+353) 021 429 0360

2nd Floor Technology House
Parkmore Technology Park, Galway
Tel (+353) 091 786 0550
Fax (+353) 091 779 830

Client	
AEVAL	
Project	
WOODBROOK PHASE 1	

Purpose			
PLANNING			
Title			
PROPOSED FOUL WATER DRAINAGE LONG SECTIONS SHEET 2 OF 3			
Original Scale	Design/Drawn	Checked	Authorised
1:1000 @ A1 1:2000 @ A3	PS	AC	GH
Date	Date	Date	Date
13.05.19	13.05.19	13.05.19	13.05.19
Status	Drawing Number	Rev	
P	5154251 / EWE / DR / 0531	C	

File: 5154251_EWE_DR_0530_0531.dwg
Date: Oct 30, 2019 - 7:51am
Plotted by: jwsh